

PLEASE CHECK WWW.MOLEX.COM FOR LATEST PART INFORMATION

Part Number: [0352840617](#)
Status: **Active**
Description: 2.28mm (.090") Tab Wire-to-Wire Uniconn Housing, Female, 6 Circuits, Brown

Documents:

[Drawing \(PDF\)](#) [RoHS Certificate of Compliance \(PDF\)](#)
[Product Specification PS-35282-001 \(PDF\)](#)

General

Product Family	Crimp Housings
Series	35284
Product Name	Uniconn

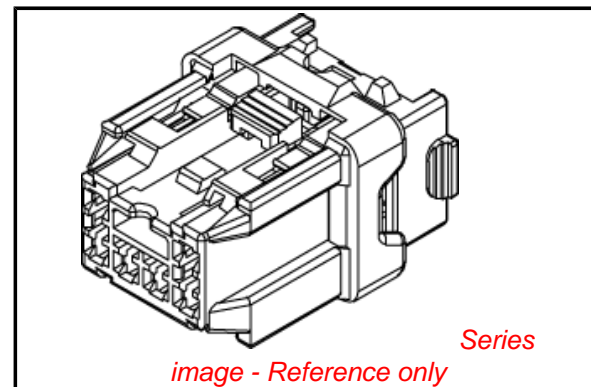
Physical

Circuits (maximum)	6
Color - Resin	Black, Brown
Gender	Female
Glow-Wire Compliant	No
Lock to Mating Part	Yes
Material - Resin	Polyester
Number of Rows	2
Packaging Type	Bag
Panel Mount	No
Pitch - Mating Interface (in)	0.150 In
Pitch - Mating Interface (mm)	3.80 mm
Temperature Range - Operating	-40°C to +80°C

Material Info

Reference - Drawing Numbers

Product Specification	PS-35282-001
Sales Drawing	SD-35284-001, SD-35284-0610



EU RoHS

**ELV and RoHS
Compliant**
REACH SVHC
 Not Reviewed
**Halogen-Free
Status**

China RoHS



**Need more information on product
environmental compliance?**

Email productcompliance@molex.com
 For a multiple part number RoHS Certificate of
 Compliance, [click here](#)

Please visit the [Contact Us](#) section for any
 non-product compliance questions.

Search Parts in this Series

[35284Series](#)

Mates With

[35282](#) Housing

Use With

[35420](#) Male Terminals, [35421](#) Female
 Terminals

PROJECT NO. SIMILAR ITEM DMG. NO. SD-35284-001

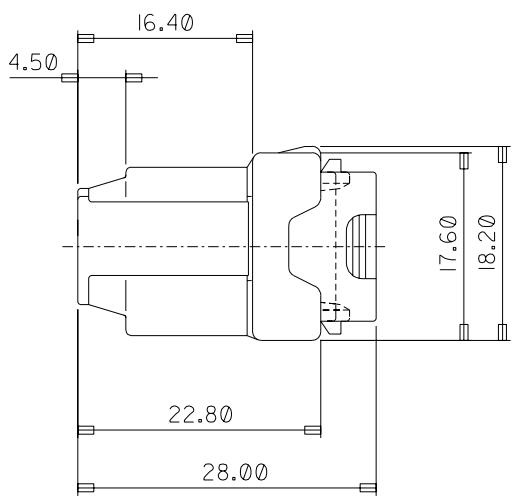
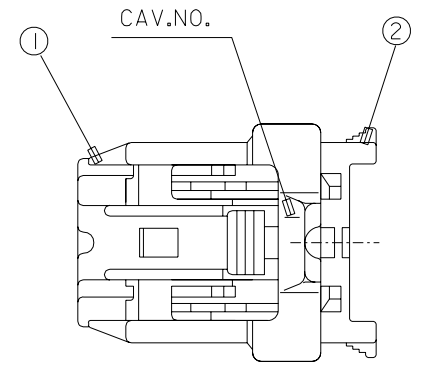
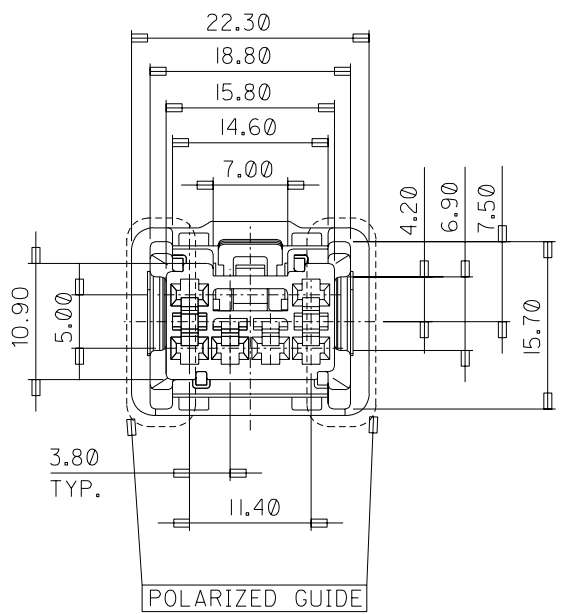
F

D

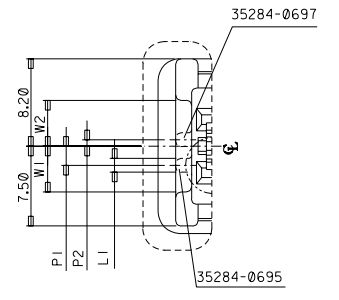
C

B

DO NOT SCALE DRAWING DIMENSION IN METRIC

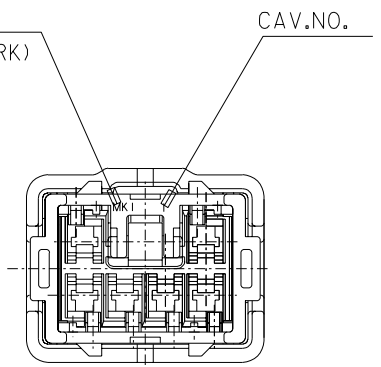


POLARIZED GUIDE RIBS



ENG. NO.	DIMENSIONS				COLOR	
	L1	P1	P2	W1		W2
35284-0610			(NO RIB)	4.20	2.70	NATURAL
35284-0615	1.30	1.80		4.30	4.30	GRAY
35284-0617	1.30		0.60	4.30	4.30	BROWN

MK I (TRADE MARK)



	PART NO.	PART NAME	MATERIAL
①	35284-069*	UNICONN FEMALE HOUSING-6P	PBT,NATURAL
②	35285-0681	UNICONN FEMALE TPA-6P	PBT,BLACK

REVISED	DESCRIPTION
EC NO. KOR2003-0057	MAJOR
DRWN: S.M.KIM 03/07/11	CRITICAL
CHKR: C.RHO	
APPR: M.LEE	
B	REV

GENERAL TOLERANCES: (UNLESS SPECIFIED)	
4 PLACES	±0.10
3 PLACES	±0.15
2 PLACES	±0.20
1 PLACE	±0.30
ANGULAR: ±1.0°	

SCALE	DESIGN UNITS
1:1	mm
DRAWN BY & DATE	
C.W.Y. YANG, 97/11/17	
CHECKED BY & DATE	
B.K. CHOI, 97/11/17	
APPROVED BY & DATE	
C.W.LEE, 97/11/17	
CAD FILENAME	
SD2840610.DGN	

DIMENSIONS:		SHT	REV
<input type="checkbox"/> mm	<input type="checkbox"/> INCH		
<input type="checkbox"/> mm	<input checked="" type="checkbox"/> mm		
THIRD ANGLE PROJECTION		REVISE ON	CAD ONLY
TITLE:		UNICONN FEMALE ASS'Y-6P	
MATERIAL NO.		DRAWING NO.	SHEET NO.
SEE TABLE		SD 35284-001	1/1
MOLEX INCORPORATED		SIZE C	
DRAFT WHERE APPLICABLE MUST REMAIN WITHIN DIMENSIONS		THIS DRAWING CONTAINS INFORMATION THAT IS PROPRIETARY TO MOLEX INCORPORATED AND SHOULD NOT BE USED WITHOUT WRITTEN PERMISSION.	

H G F E D C B A

8 7 6 5 4 3 2 1

ENG. NO.

EDP NO.

SIMILAR ITEM

PROJECT NO.

F

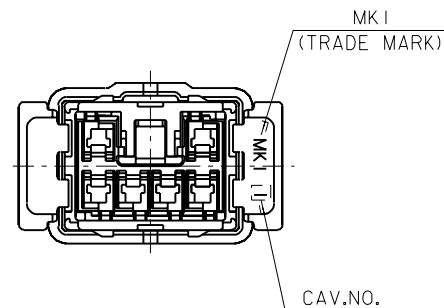
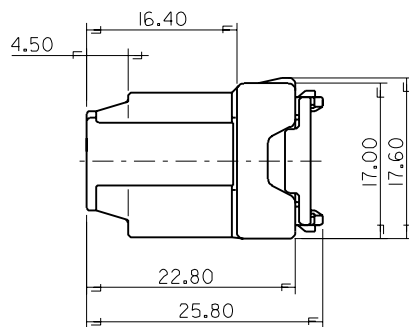
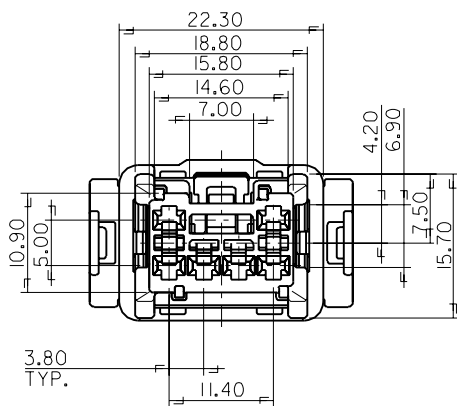
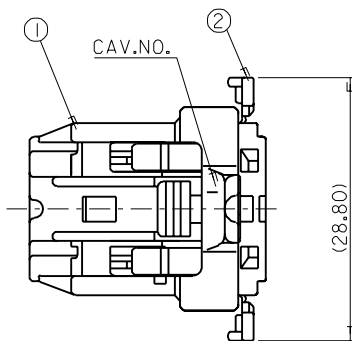
E

D

C

B

A



	PART NO.	PART NAME	MATERIAL
①	35284-0690	.090 W/W FEMALE HOUSING-6P	PBT,NATURAL
②	35285-0681	.090 W/W FEMALE HSG TPA-6P	PBT,BLACK

				MATERIAL SEE TABLE		MOLEX-KOREA CO.,LTD.	
				GENERAL TOLERANCE DIMENSION : +0.30		DRAWN BY W.Y.YANG	
				ANGLE :		CHK'D BY	
				DIMENSION CLASSIFICATION ▽ : CRITICAL ▼ : MAJOR () : REFERENCE		APPD BY	
				ASS'Y PART DESCRIPTION ENG. NO.		SCALE 2:1	
A NEW RELEASE				KOR 97-0150	97.11.17	TITLE : UNICONN FEMALE ASS'Y-6P	
LTR REVISION RECORD				ECN	DATE	SHEET 1/1	
REVISE ONLY ON CAD SYSTEM						ENG. NO. SD 35284-0610	
						REV A	

THIS DRAWING CONTAINS INFORMATION THAT IS PROPRIETARY TO MOLEX(KOREA) AND SHOULD NOT BE USED WITHOUT WRITTEN PERMISSION
MX-A3(ANSI:290,420)